

job name:
 type:

x.pōs.d™ spec sheet 90CRI

material

4" dia ribbed extruded aluminum outer housing in two lengths available in 2 anodized and 12 standard powder coat paint finishes listed below.

LED

COB in 2700K, 3000K, 3500K, or 4000K (90 cri standard) rated >36,000 hours L70 (6.8K) per LM-80 test data, and 71,000 hours projected life per IES TM-21.

downlight optics

LEDiL® Angela 120mm dia 74mm high (RoHS compliant) available in 10° spot, 30° medium, 45° wide with specular anodized finish. color mixing sublens standard. standard mounting clamp allows for easy replacement of reflector in field. the typical total beam angle is the full angle measured where the luminous intensity is half of the peak volume.

driver

constant current, class P, class 2 power unit, class A sound rating, universal input (120-277V) programmable driver; 5% minimum dimming level, PF >0.90. protections include short circuit, input/output isolation and surge protection (3KV). wired for 0-10v dimming from factory.

mounting

standard

driver in junction box (requires 2 1/8" deep electrical box). ultrathin vertical stainless steel cables and field adjustable grippers that allow for exact AFF mounting heights. cloth-covered power cord color options listed below. cloth cord requires special stripping tool (link). 5" dia canopy painted to match fixture.

canopy mounted driver (CDVR) (optional)

5" dia canopy with 4" x 3.5" ribbed extruded aluminum painted to match fixture (see image below)

remote enclosure (.LV) (optional)

the standard driver can be remote mounted up to 33ft from the LED. suspension length should be considered in distance. remote enclosure supplied. for distances greater than 33ft consult factory. for Chicago Plenum installation consult factory.

power over cable (POC) (optional)

Class 2 LED powered suspension system that suspends and powers the fixture with thin stainless steel copper-core conductive cables, providing a clean look without the need for a separate power cord. powered suspension requires cable cutter (link) specifically designed to cut stainless steel aircraft cable from 1/32" to 1/8". 5" dia canopy painted to match fixture.

finish

select from 2 anodized and 12 standard powder coat paint finishes listed below or specify RAL# for custom colors.

emergency

if required, recommend use of inverter (by other).



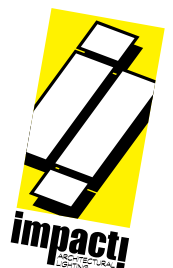
catalog number

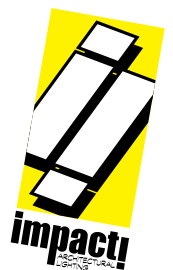
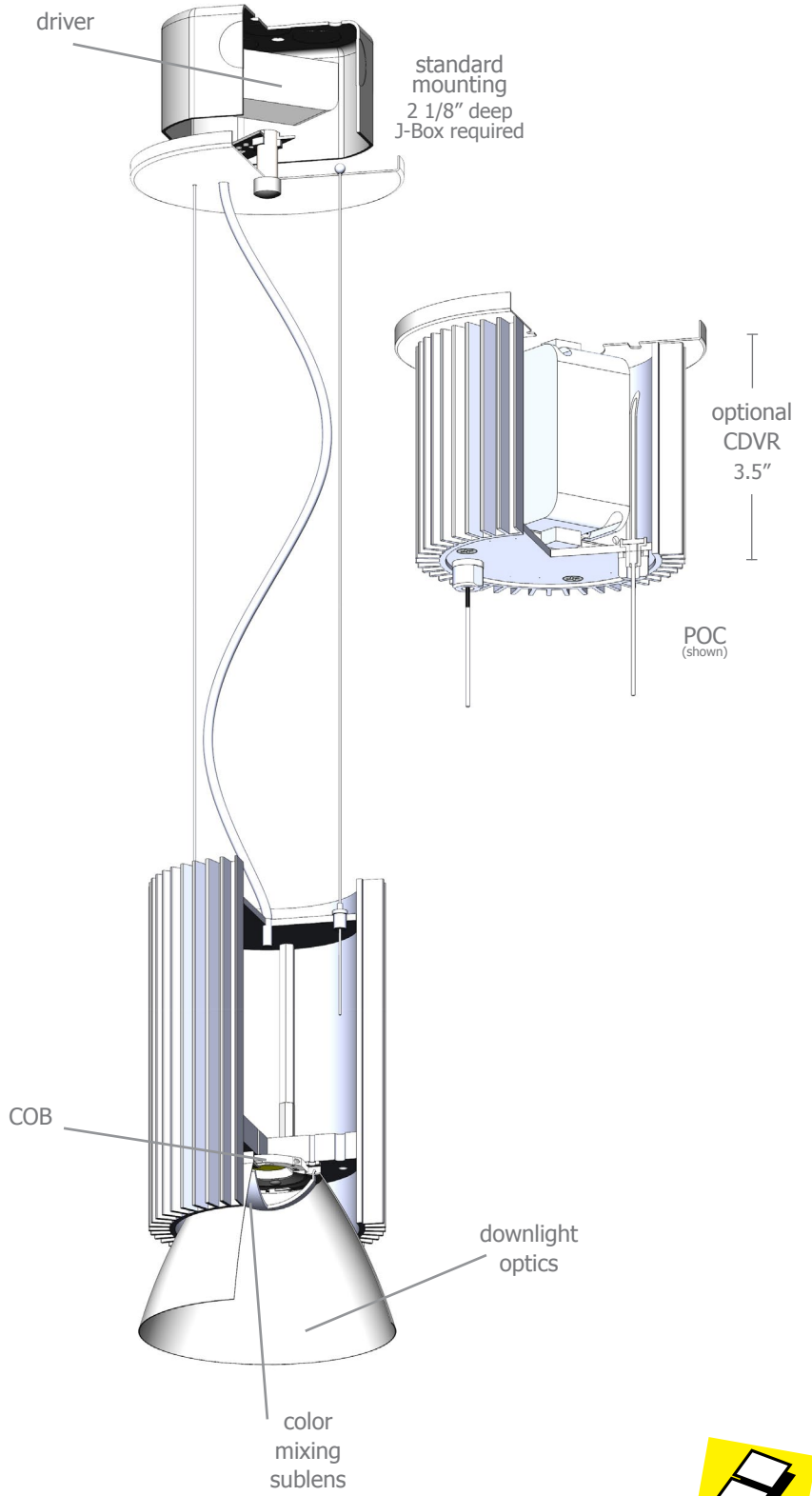
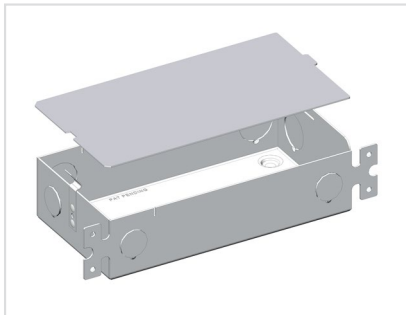
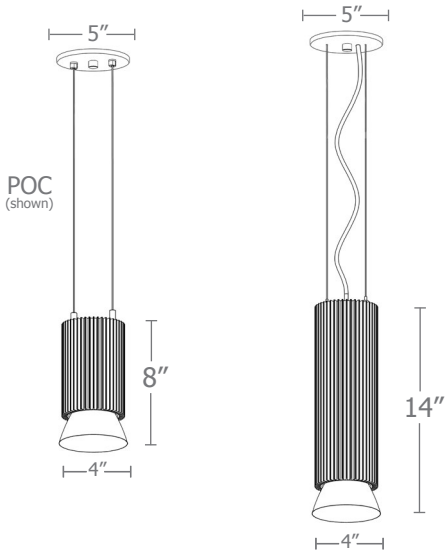
--	--	--	--	--	--	--

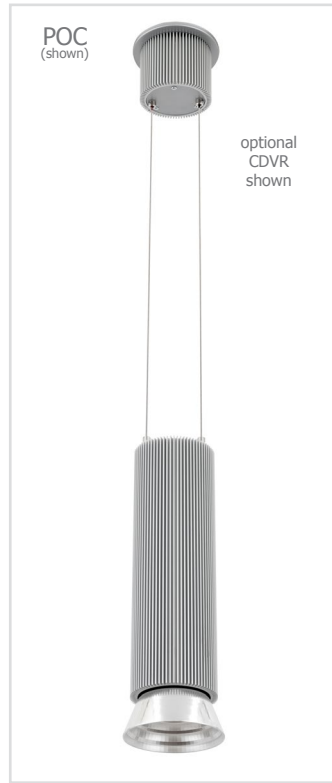
size	beam	CCT	lumens	anodized finishes	power cord	options
P4408 driver in j-box	S 10° spot	27 2700K	L1 395 lm	AN silver anodized	BUPC blue cloth cord	3FT 36" cables
P4408.LV remote enclosure 4" dia X 8" ht	M 30° med	30 3000K	L2 695 lm	ANB anodized black	ORPC orange cloth cord	6FT 72" cables
	W 45° wide	35 3500K	L3 995 lm	painting finish	PLPC purple cloth cord	CDVR canopy mounted driver
P4414 driver in j-box		40 4000K	H1 1390 lm	BS brass	RDPC red cloth cord	
P4414.LV remote enclosure 4" dia X 14" ht			H2 1985 lm	BU blue	WGPC white & gray dot cloth cord	
			H3 2780 lm	BZ bronze	POC power over cable	
				CP champagne		
				GM gun metal		
				MB military blue	WHPC white cord	
				MW matte white	BKPC black cord	
				OR orange	SBPC silver braid cord	
				RD red		
				SS satin silver		
				TG textured gray		
				YO yellow		



premium finish
RAL specify RAL#



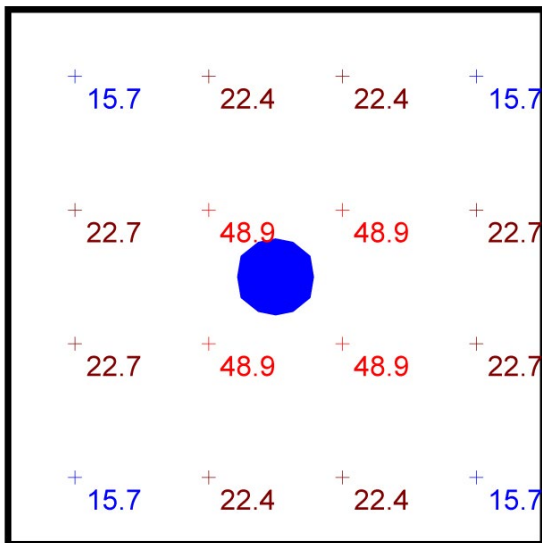




Typical Lighting Layout

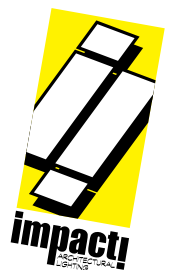
Statistics						
Description	Symbol	Avg	Max	Min	Max/Min	Avg/Min
x.pos.d	+	27.4 fc	48.9 fc	15.7 fc	3.1:1	1.7:1

performance



Plan View
Scale - 1" = 2ft

- 8' x 8' x 16'H space
- 80/50/20 reflectances
- bottom of fixture at 14' aff
- FC readings at 2.5' aff
- layout conducted using P4414 unit with H3 lumen 90 CRI package providing 2780 delivered lumens



Calculation Table

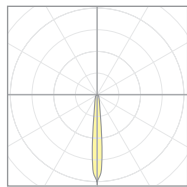
Consult factory for applications assistance

Cat No	Delivered* Lumens	Watts 120V / 277V	IES File #		LLF to be applied
L1	395	4	07221C	spot	.14
			07221B	med	.14
			07221A	wide	.14
L2	695	7	07221C	spot	.25
			07221B	med	.25
			07221A	wide	.25
L3	995	10	07221C	spot	.36
			07221B	med	.36
			07221A	wide	.36
H1	1390	14	07221C	spot	.50
			07221B	med	.50
			07221A	wide	.50
H2	1985	21	07221C	spot	.71
			07221B	med	.71
			07221A	wide	.71
H3	2780	28	07221C	spot	1.0
			07221B	med	1.0
			07221A	wide	1.0

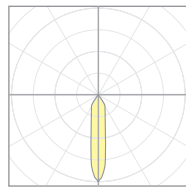
*delivered lumens based on 4000K, 90+ cri

The application of a Light Loss Factor is required to:

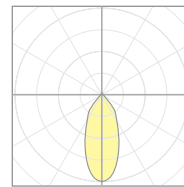
- match the lumen output for the power module specified
- incorporate the increased lumen output due to LED/Driver upgrades



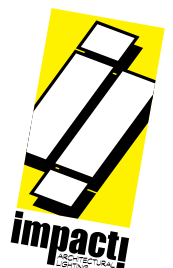
07221C
P4408-S-40-H3
S 10° spot



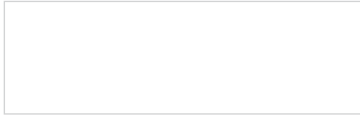
07221B
P4408-M-40-H3
M 30° med



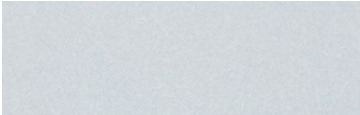
07221A
P4408-W-40-H3
W 45° wide



Powder Coat Paint Finishes



MW matte white



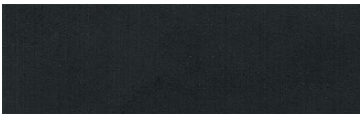
AP anodized paint
AN silver anodized



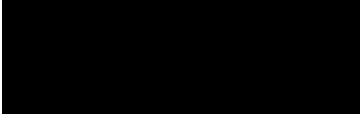
SS satin silver



TG textured gray



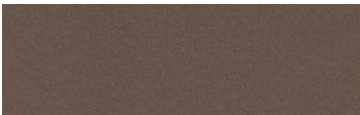
FB flat black



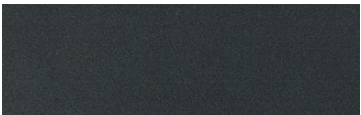
SB satin black
ANB anodized black



CP champagne



BZ bronze



GM gun metal



OR orange 2011



BU blue 5017



BS brass



RD red 3020



YO yellow 1018



MB military blue

For accurate color verification, actual finish samples are available upon request.

Premium Finishes*



RAL#

*Available on select series. Consult product submittal for availability.

